



PC

---

PO Box 6926 • 721 WALNUT STREET • MACON, GEORGIA 31208-6926 • 478-742-4999 • 478-742-5207 FAX

---

ADDENDUM NO. 3

ADDITION TO CROSS POINT BAPTIST CHURCH  
Perry, Georgia

CHANGES TO SPECIFICATIONS:

SECTION 01210 – ALLOWANCES

Page 01210-1/Paragraph 1.3.B.6

[DELETE:

6. Include in Base Bid.....Engineer. The French Drain.....Allowance.]

SECTION 07411 – METAL ROOF PANELS

Page 07411-11/Paragraph 1.10

[ADD: Per DeLoach Architects E-Mail communication with Mr. Lynn Harwood, Engineering Service Manager, Varco-Pruden Buildings – Office 336/996-4801, FAX 336/992-8605; Varco-Pruden Buildings should be able to maintain the warranty on the existing roof (using Detail 5/A8.01) as long as there is no damage/abuse/etc. to the existing roof during the addition construction to the existing building. The expansion joint (Detail 5/A8.01) warranty must be included within the warranty for the roof addition.]

SECTION 11060 – PLATFORM CURTAINS AND RIGGING

Page 11060-5/Paragraph 2.2

[CHANGE: All references to Series 600 track system  
TO READ: Series 500 Track System.]

CHANGES TO DRAWINGS

SHEET C15

DETAIL 1

[DELETE: References to application of Sealcoat to pavement.]

SHEET A6.02

DETAIL 2/A6.02

[ADD THE FOLLOWING NOTE: The steel fabrication subcontractor shall provide, in addition to the construction shown, all necessary steel sections and anchorage required to suspend the soffit structure fabrication and rear curtain track structure, also shown in Details 5 and 6/A6.02, from the overhead roof purlin and beam construction. The steel fabrication subcontractor shall fully engineer the soffit structure to verify/identify exact hanger attachment points for an even loading distribution on the roof structure. The steel fabrication subcontractor shall coordinate exact locations of purlins with the purlin installing subcontractor.]

SHEET A8.01

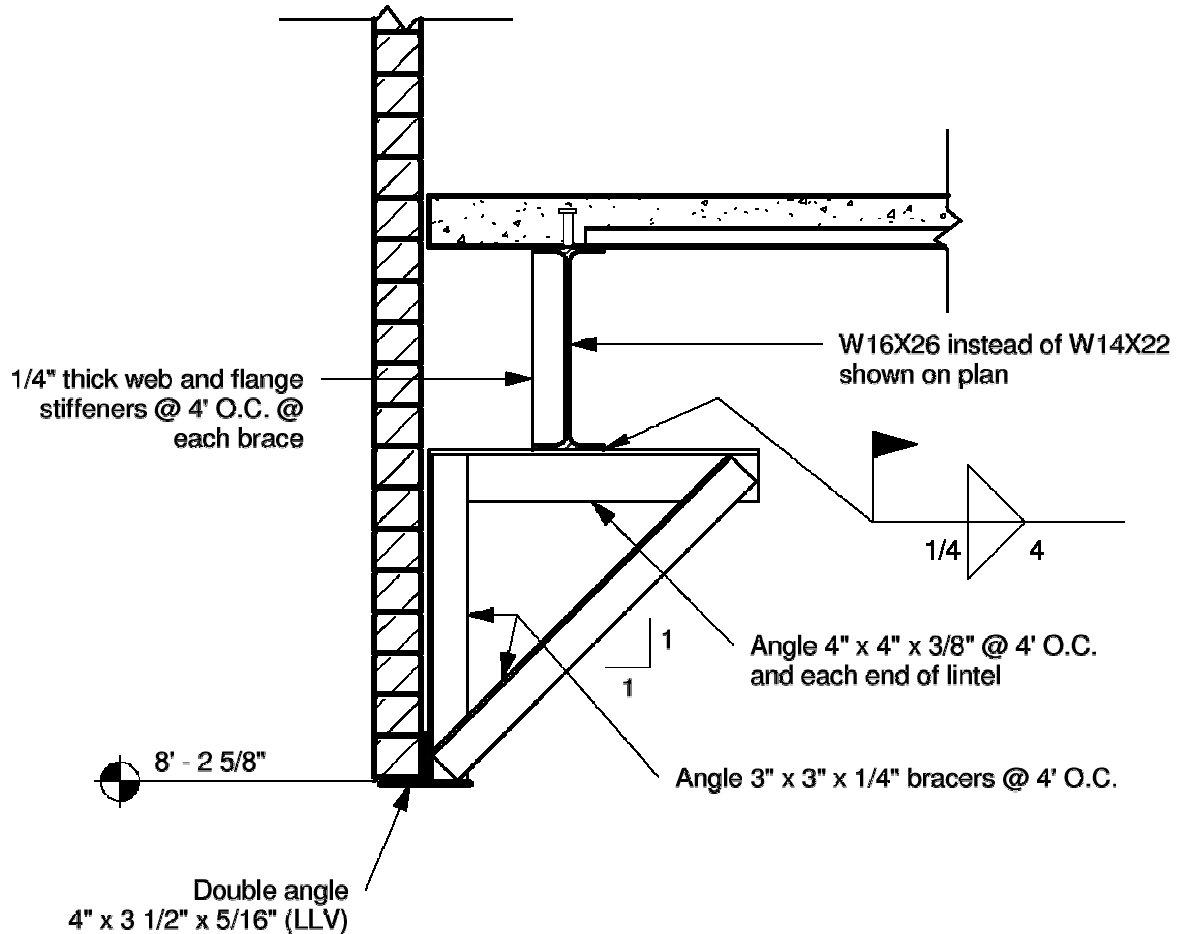
DETAIL 3/A8.01

[CHANGE: Reference to metal tube downspout to 8'-0" above fin. flr  
TO READ: Aluminum downspout to connect to PVC roof drain line at ground with  
PVC adapter.]

SHEET S2.0

DETAIL 11/S2.0

[ADD THE FOLLOWING DETAIL, CUT AT ENTRY 101:



]

SHEET S3.0

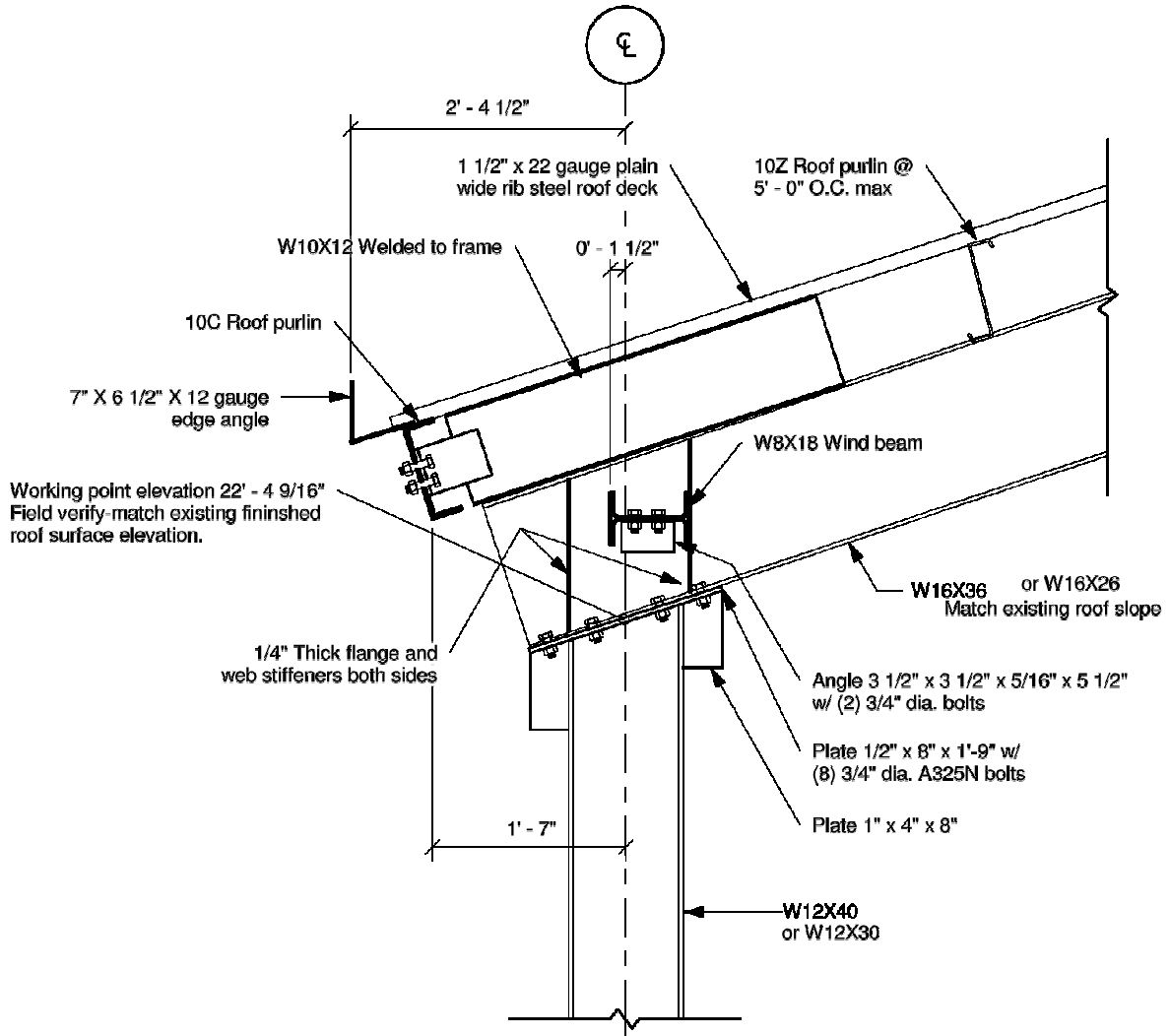
PLAN 1/S3.0

[ADD THE FOLLOWING NOTE: Those purlins supporting the curtain and track, acoustical ceiling panels, audio/visual equipment, performance lighting and pipe battens, etc. are to be designed to support the weight of those items, and the reactions as provided by their respective manufacturer. Purlin manufacturer shall design extra bracing to prevent thrust and dynamic loads. Contractor shall coordinate.]

SHEET S.3.0

DETAIL 2/S3.0

[CHANGE DETAIL AS SHOWN BELOW:

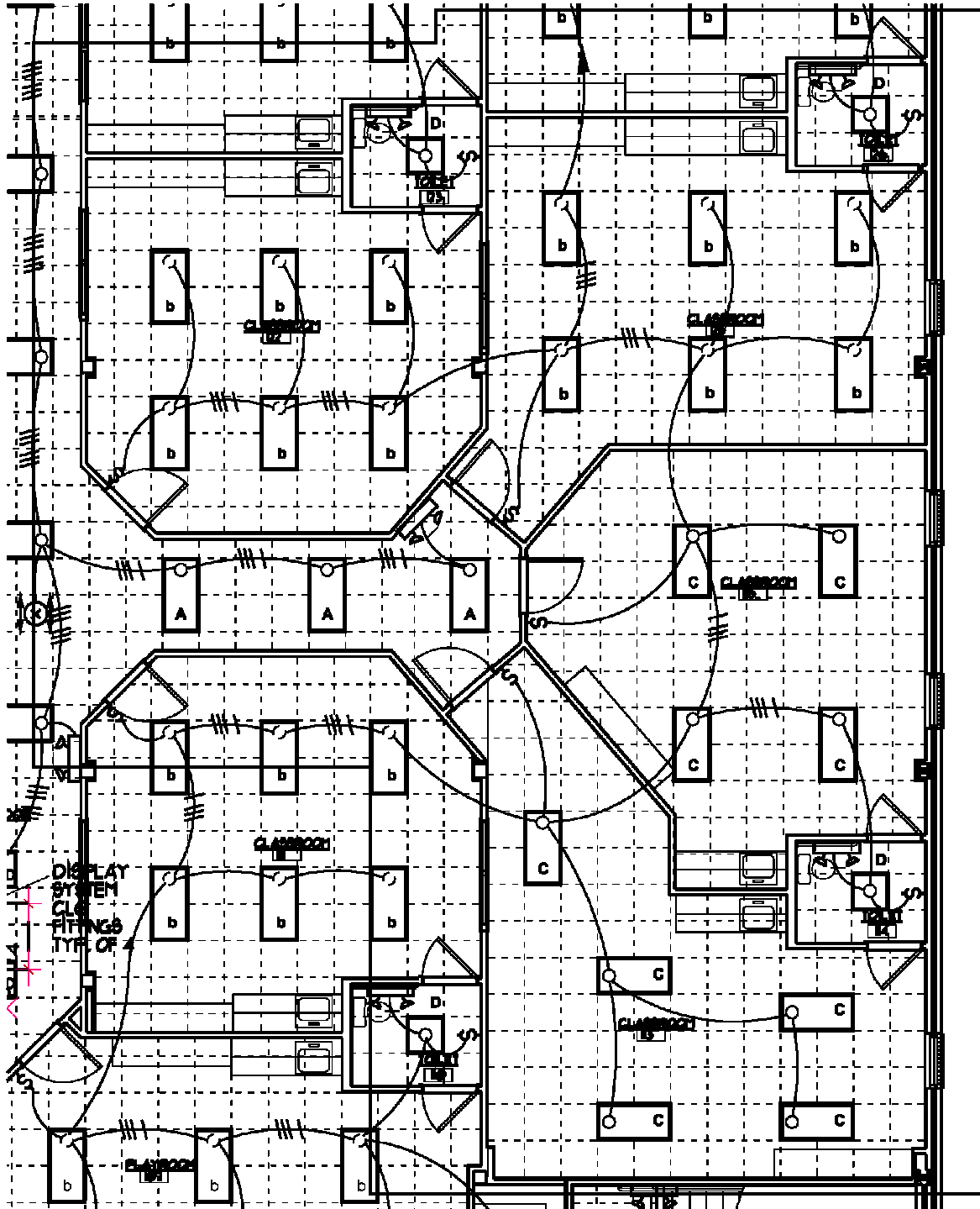


]

SHEET E2.0

PLAN 1/E2.0

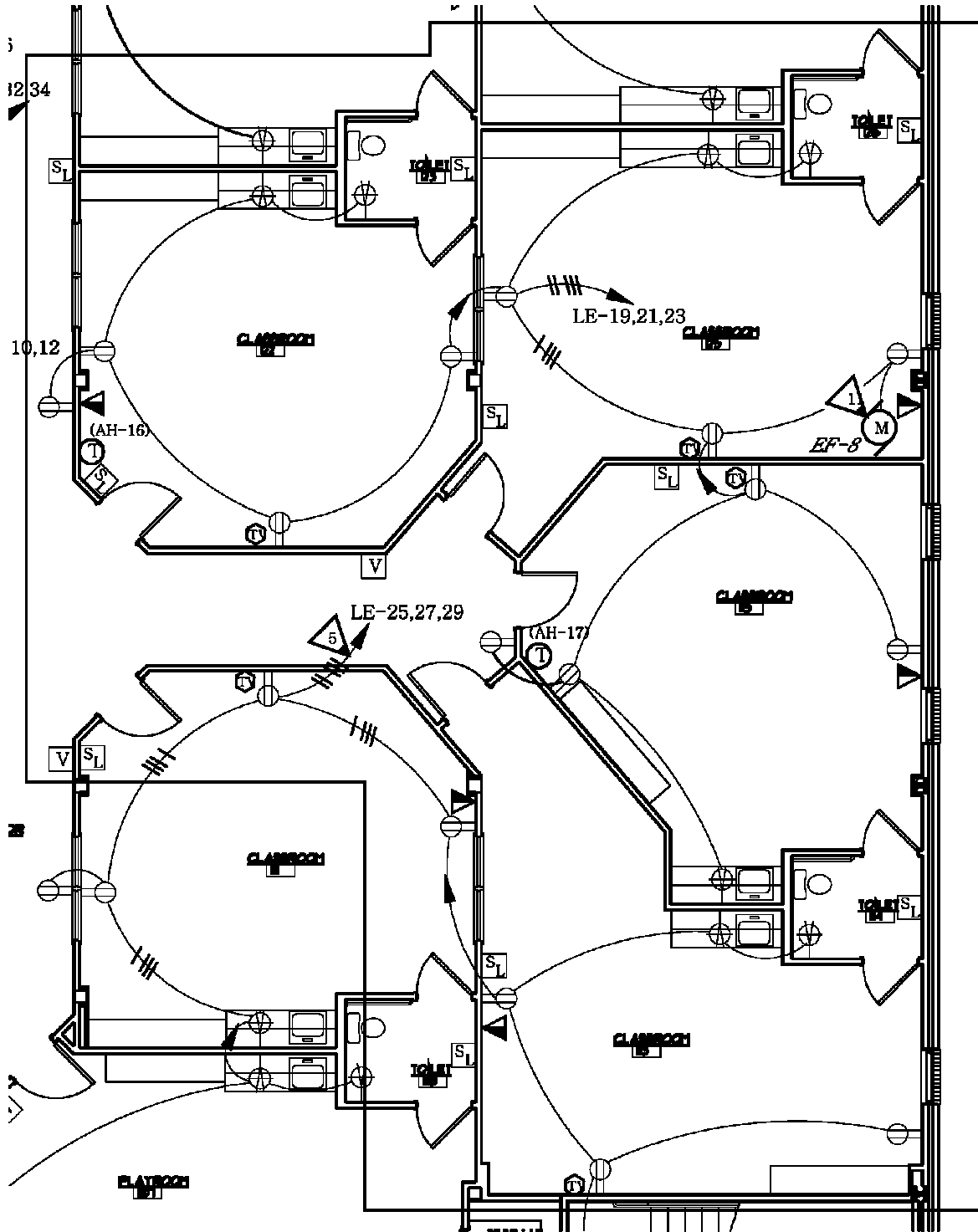
[CHANGE ROOM LAYOUT AS SHOWN BELOW:



SHEET E3.0

PLAN 1/E3.0

[CHANGE ROOM LAYOUT AS SHOWN BELOW:]



END OF ADDENDUM NO. 3